

## Ama-Drainer<sup>®</sup> N – Submersible Motor Pump



### Applications:

- Drainage of pits, shafts, yards and cellars subject to a flooding risk
- Extraction of water from rivers and reservoirs
- Drainage of underground passages
- Lowering the surface water level
- Drainage

### More information:

[www.ksb.com/products](http://www.ksb.com/products)

Your contact:



# Ama-Drainer® N – Submersible Motor Pump

## 1 Absolutely tight

Magnetic switch with adjustable, variable level control and anti-overwinding device. Straightforward adaptation to external control system with locking disc.

## 2 Easy to replace

Cable with plug-type connector

## 3 No drainage of the discharge pipe

Integrated swing check valve

## 4 Low space requirement

Vertical discharge nozzle allows installation in narrow sumps, for example.

## 5 Protected against overload

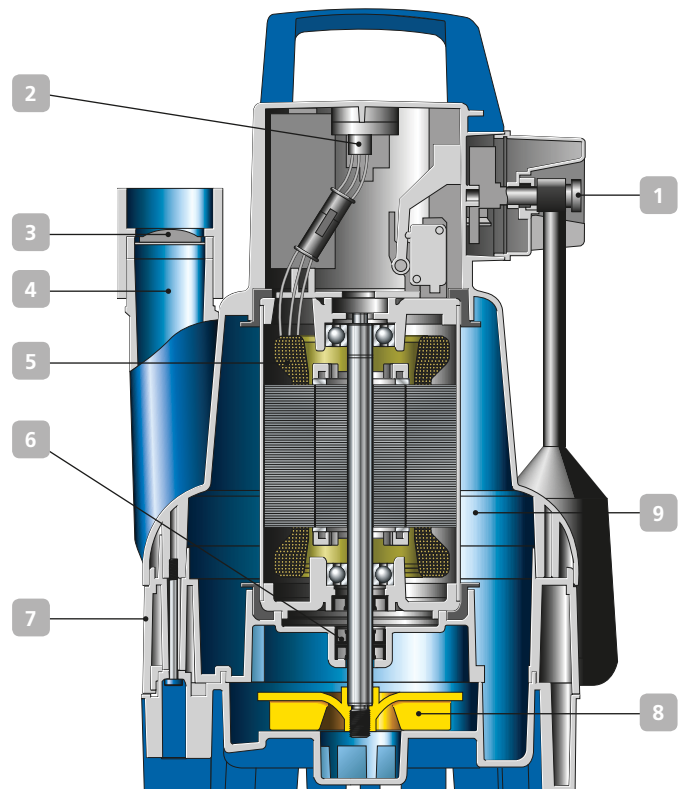
Integrated motor protection

## 6 High operating reliability

Triple shaft seal lubricated by the barrier fluid makes for high motor reliability. Lubrication of the seal faces in the event of dry running.

## 7 Long service life

Low-weight and corrosion-proof thanks to high-quality plastic casing. Noise-absorbing, abrasion-proof and impact-resistant.



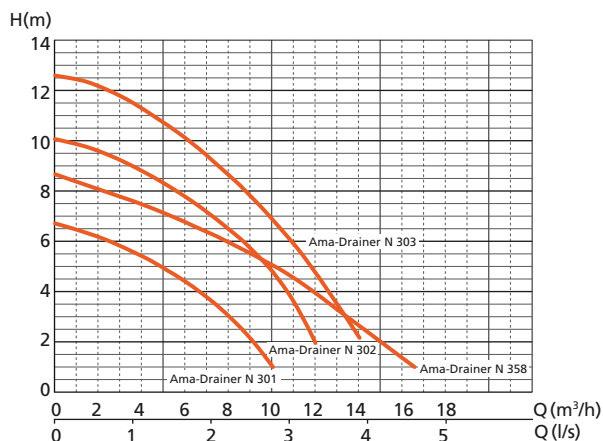
## 8 Economic operation

Optimised hydraulic systems and motors for large pump output at high efficiency.

## 9 Protected against overheating

Frame-cooled enclosed motor. Permits operation even when motor is not submerged.

Ama-Drainer® N characteristic curves



### Technical data

Flow rate	Up to 16.5 m³/h (4.6 l/s)
Head	Up to 12 m
Temperature	Up to 50 °C
Free passage	Up to 35 mm

Also available with LevelControl Basic 2 automation option.



KSB SE & Co. KGaA  
Johann-Klein-Straße 9  
67227 Frankenthal (Germany)  
www.ksb.com